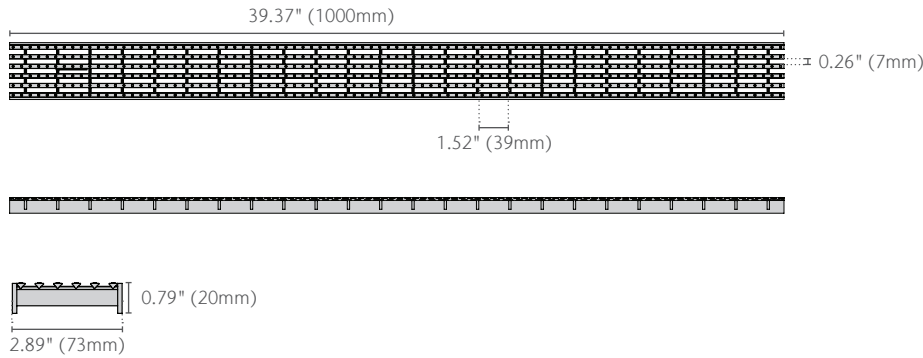


K50 Longitudinal Stainless Steel Grate (ADA) Spec Sheet



K50 Longitudinal Stainless Steel Grate

part no. 30135



Product Name	Part No.	Length in (mm)	Width in (mm)	Weight lbs
K50 Longitudinal Stainless Steel Grate	30135	39.37 (1000)	2.95 (75)	5.9

Specification Summary

General

The surface drainage system shall be ACO Drain MiniKlassik K50/KS50 channels complete with ACO MiniKlassik stainless steel longitudinal grate as manufactured by ACO, Inc. or similar approved.

Installation

The trench drain system and grates shall be installed in accordance with the manufacturer's installation instructions and recommendations.

Materials

The covers shall be manufactured from stainless steel and have minimum properties as follows:

- 14 gauge, grade 304 stainless steel
- Intake area of 14.5in² (93.5cm²)/m grate

The overall width of 2.89" (73 mm) and overall length of 39.37" (1000 mm). Slots measure 0.26" (7 mm) by 1.52" (39 mm).



Australian Standard AS 3996 - 2006 Clause 3.3.6: max slot length dependent on slot width for grates that are deemed Bicycle Tire Penetration Resistant.



ASME: A112.6.3 : Section 7.12 Heel-resistant Strainers & Grates grate hole size ≤ 0.31" (8 mm)



ADA-compliant per The Americans with Disabilities Act of 2010, Section 302.3

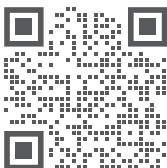


EN1433 Load Class A 3,372 lbs – 70 psi

ACO, Inc.

© January 2026 ACO, Inc.

All reasonable care has been taken in compiling the information in this document. All recommendations and suggestions on the use of ACO products are made without guarantee since the conditions of use are beyond the control of the company. It is the customer's responsibility to ensure that each product is fit for its intended purpose and that the actual conditions of use are suitable. ACO, Inc. reserves the right to change products and specifications without notice.



info@acousa.com
www.acousa.com

